

Tuesday 8th March 2022

I can predict the food chain.

Which animals have been eaten so far?



What are your predictions for the food chain?

Tuesday 8th March 2022

I can predict the food chain.

How might the food chain continue?

Tuesday 8th March 2022

I can predict the food chain.

What is the style the book has been written in?

This is the owl
the great horned owl
that dived for the skunk
that caught the snake
that swallowed the frog
that gobbled the beetle
that ate the nymph
that nibbled the algae
that grew in the water
that filled the pond
by Anna's house.

Tuesday 8th March 2022

I can predict the food chain.

Write in the style of the book describing which animals you think will be gobbled up next!

Check the spelling accuracy of the repeated words

Try to use appropriate synonyms for 'eat'.

Use excellent expanded noun phrases for the animals.

0 8 . 0 3 . 2 2

I can calculate perimeter

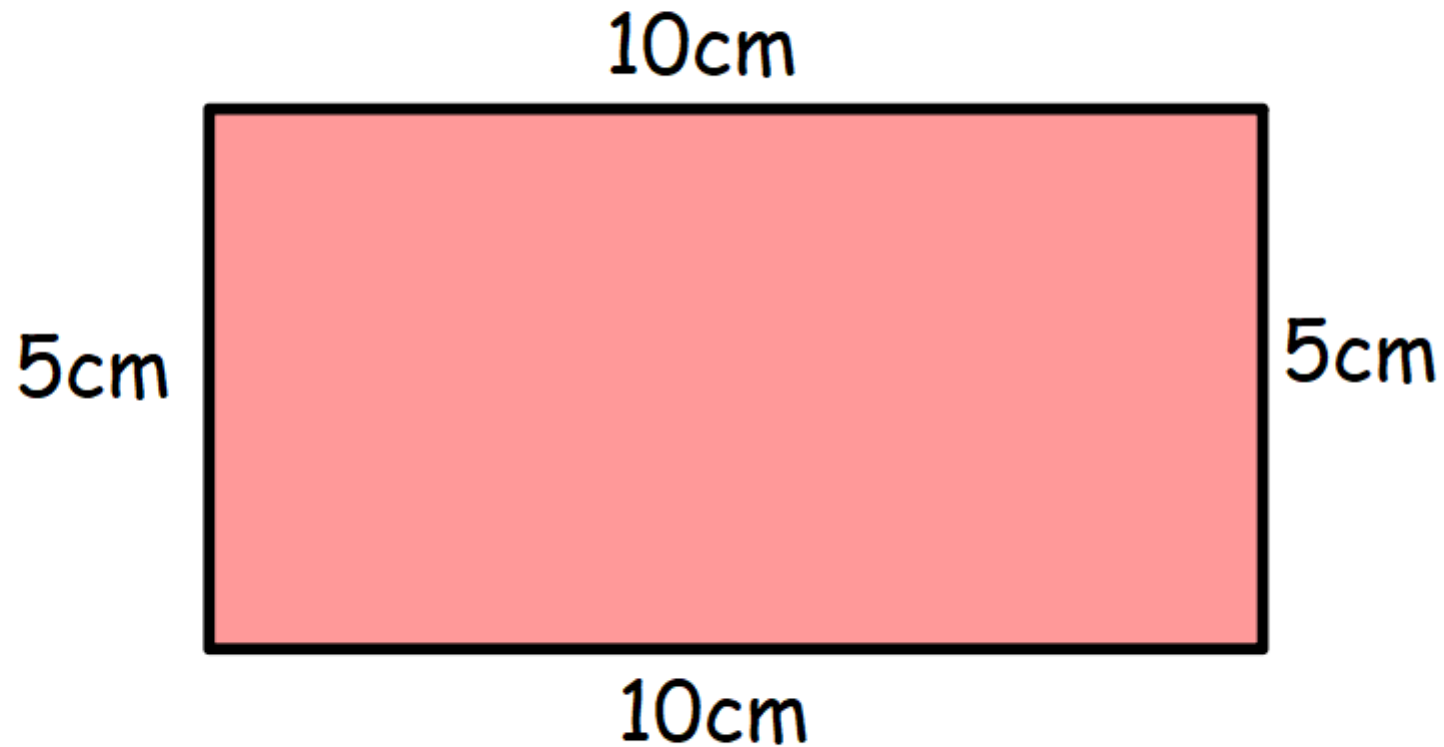
What does this mean?

A closed path that outlines a shape

0 8 . 0 3 . 2 2

I can calculate perimeter

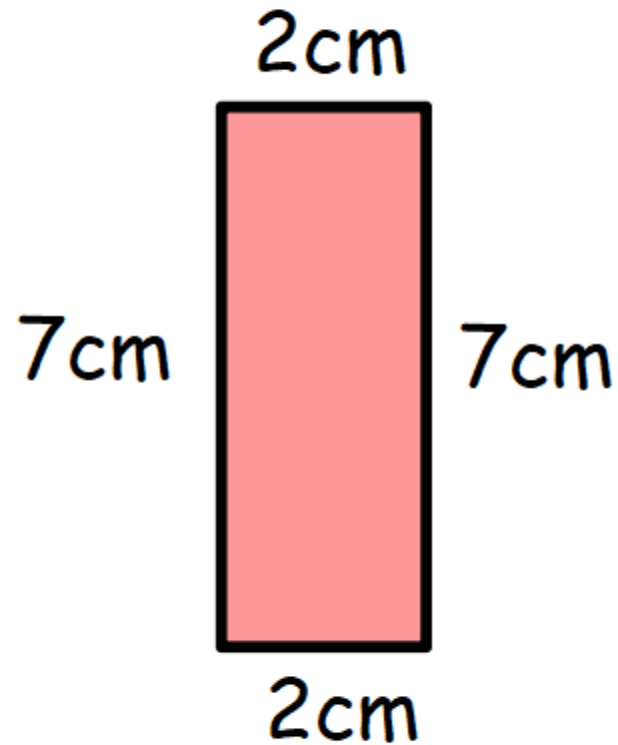
What is the perimeter of this shape?



0 8 . 0 3 . 2 2

I can calculate perimeter

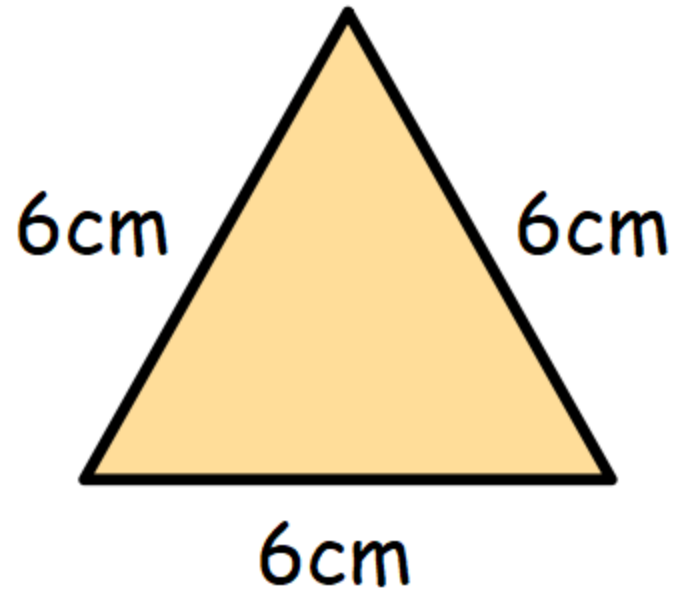
What is the perimeter of this shape?



0 8 . 0 3 . 2 2

I can calculate perimeter

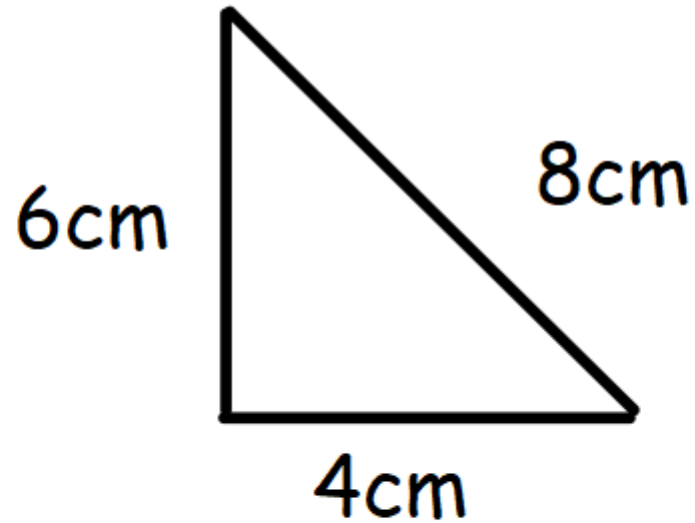
What is the perimeter of this shape?



0 8 . 0 3 . 2 2

I can calculate perimeter

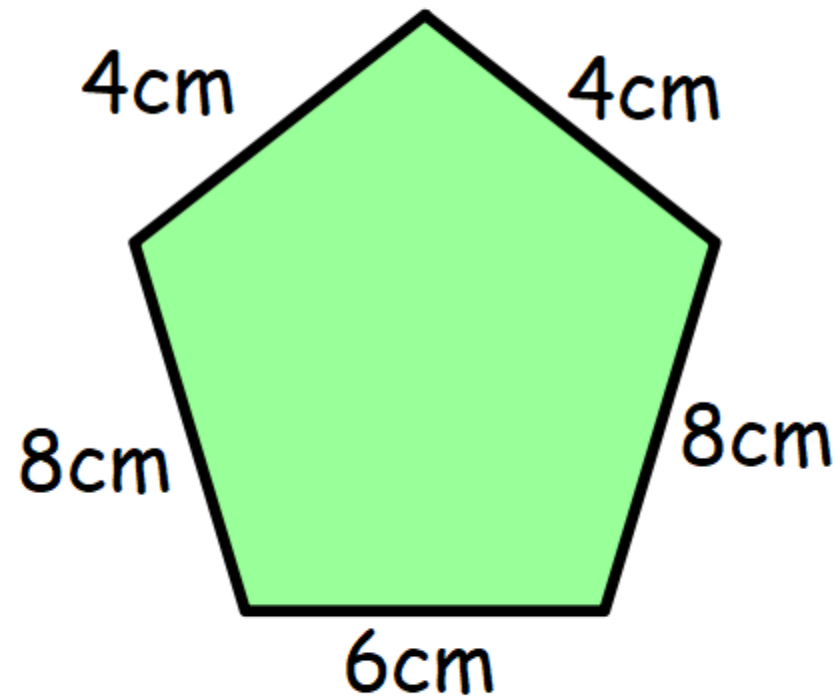
What is the perimeter of this shape?



08.03.22

I can calculate perimeter

What is the perimeter of this shape?



0 8 . 0 3 . 2 2

I can calculate perimeter

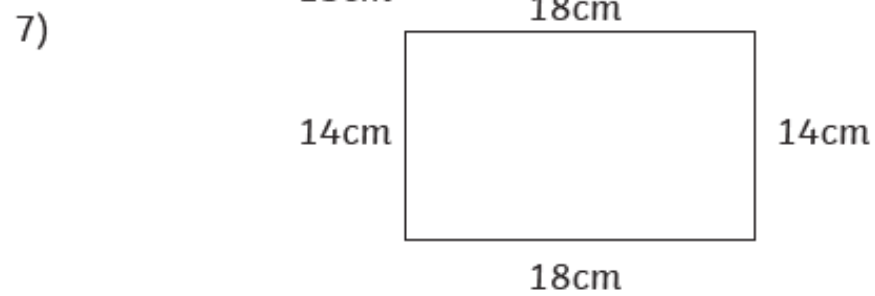
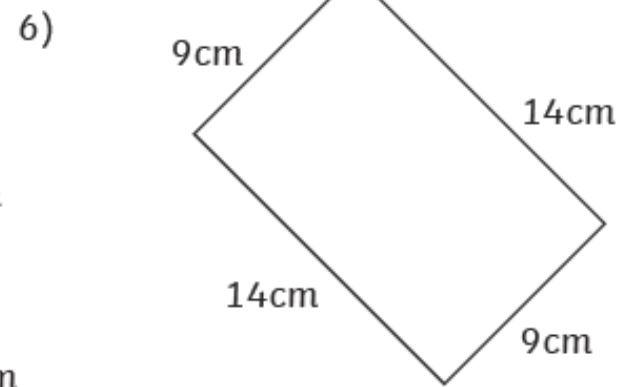
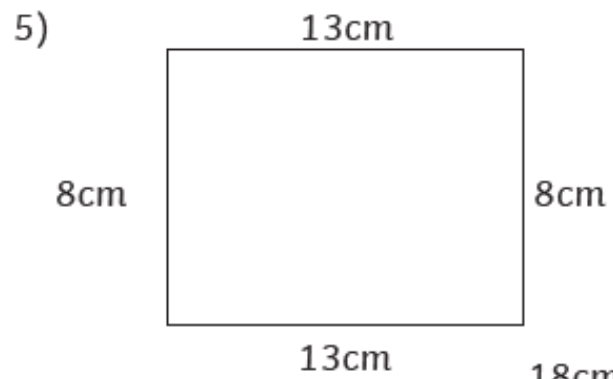
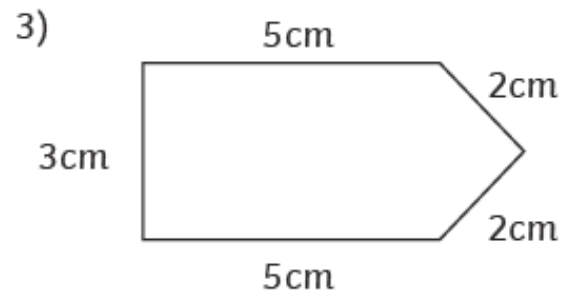
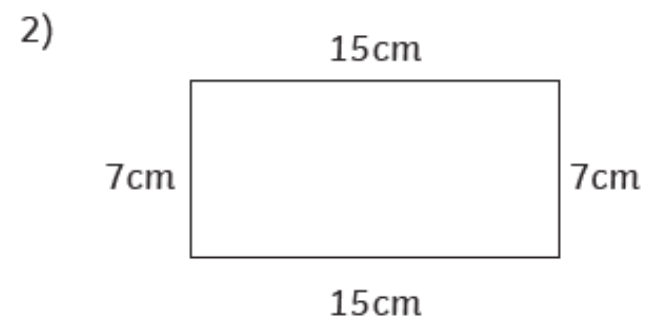
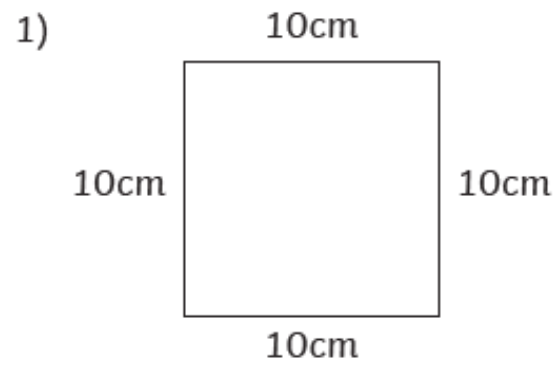
Set out your work like this:

1.



$$5\text{cm} + 5\text{cm} + 3\text{cm} + 3\text{cm} =$$

2.



Tuesday 8th March 2022

I can create a Viking Shield.

What have we learnt already about Vikings?

Tuesday 8th March 2022

I can create a Viking Shield.

Let's learn...



[How did the Vikings fight? - BBC Bitesize](#)



Tuesday 8th March 2022

I can create a Viking Shield.

What will your design need to include?



Sketch it on your paper.



Tuesday 8th March 2022

I can create a Viking Shield.

You all need a piece of card...it needs to be round! (You can draw around a plate)

